

## Safety Retractable Handles

Plastic, Retractable Mechanism Steel, Automatic Return to the Retracted Position

### SPECIFICATION

#### Handle

Plastic, Polyamide (PA) **KT**

- Operating temperature up to 90 °C
- Black, matte finish
- Revolving

#### Retractable mechanism

Steel

- Spindle 1.0718  
Blackened
- Flat base  
Sintered, blackened



### INFORMATION

Safety retractable handles GN 798.7 are suitable for applications such as cranked handles and handwheels if the handle may not be locked in the operating position.

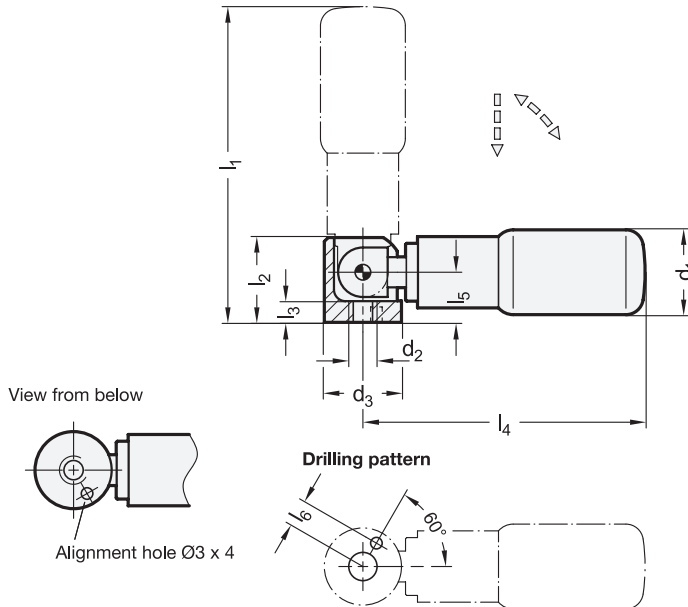
In order to bring the handle into the operating position it has to be turned first through 90° to a stop against a torsion spring and then it is pushed against spring pressure into its hold position.

Operated in this way and with the axial force maintained, the handle can be used to crank.

When „releasing“ the handle, the pressure spring returns it back to the retracted position.

### TECHNICAL INFORMATION

- Plastic Characteristics (see page A2)



### GN 798.7

| Description    | d1 | d2  | d3 | l1 ≈<br>(arrested) | l2 | l3  | l4 | l5 | l6 | ⚖   |
|----------------|----|-----|----|--------------------|----|-----|----|----|----|-----|
| GN 798.7-KT-22 | 22 | M 6 | 20 | 82                 | 22 | 5.5 | 73 | 13 | 7  | 81  |
| GN 798.7-KT-24 | 24 | M 6 | 20 | 97                 | 22 | 5.5 | 88 | 13 | 7  | 91  |
| GN 798.7-KT-25 | 25 | M 6 | 20 | 107                | 22 | 5.5 | 98 | 13 | 7  | 101 |